



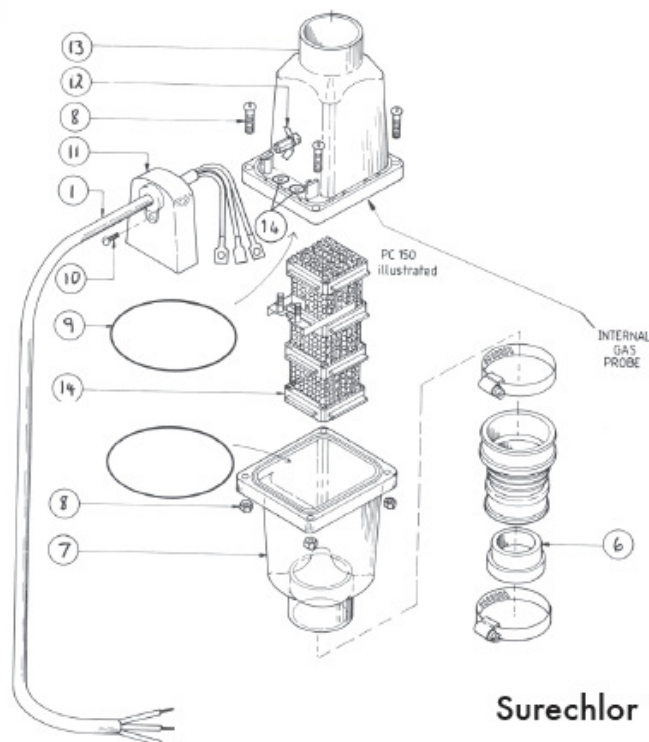
Spare Parts

Cell Parts

Surechlor PC Series Cells - Vertical

Code	Part	Product Description
21812	1	Cell Lead
20494	6	Cell Plug
20540	7	Cell Housing - Clear
9809	8	Housing Screw & Nut
22128	9	Housing O-Ring
20974	10	Screw - Terminal Cover 3/16 x 3/8
9806	11	Terminal Cover
9830	12	Gas Detector Probe
9807	12,13	Cell Housing - Green - with Gas Probe
23110		Hose Clamp S/S
20204		Flexible Coupling - 40mm x 50mm
20824		Flat Washer
20838		Spring Washer
20868		Nut - 3/16 - Brass

EXTENDED DIAGRAM



Code	Product Description
21314	Heatsink

Surechlor Auto Kleen / Auto Kleen-S Cells

21812	Cell Lead - AKS-150 / AKS-250 / ESR-140 / ESR-240
21819	Cell Lead - AKS-700

Replacement Cells

Surechlor 2000/3000/ Enduro

8944	NSC-160 / SC-160	Replacement Cell
8805	HC-200 / NSC-210 / ESN-190	Replacement Cell
8806	HC-300 / SC-310 / ESN-290	Replacement Cell
8804	HC-100	Replacement Cell

Surechlor 3000 AK-S / Enduro

8837	AKS-150 / ESR-140 / 25g Enduro	Replacement Cell
8838	AKS-250 / ESR-240	Replacement Cell
8948	AKS-350 / AKS-700 / ESR-340	Replacement Cell

Surechlor 4000

8875	15g	Replacement Cell
8876	25g	Replacement Cell
8877	35g	Replacement Cell
8878	45g	Replacement Cell

Surechlor PC Series - Horizontal

8219	PC-60H	Replacement Cell
8217	PC-90H	Replacement Cell
8218	PC-150H	Replacement Cell

Surechlor PC Series - Vertical

9829	PC-60	Replacement Cell
9800	PC-90	Replacement Cell
9801	PC-150	Replacement Cell

Anode/Cathode Kits

Surechlor 2000 / 3000 / Enduro

Code	Product Description	
8903	NSC-160	Anode/Cathode Kit
8820	HC-2000 / SC-210 / ESN-190	Anode/Cathode Kit
8821	HC-300 / SC-310 / ESN-290	Anode/Cathode Kit
8801	HC-100 Anode/Cathode Kit	Anode/Cathode Kit

88

Surechlor 3000 AK-S / Enduro

8835	AKS-150 / ESR-140 / 25g Enduro	Anode/Cathode Kit
8836	AKS-250 / ESR-240	Anode/Cathode Kit
8912	AKS-350 / AKS-700 / ESR-340	Anode/Cathode Kit

Surechlor PC Series - Horizontal

8215	PC-60H	Anode/Cathode Kit
8213	PC-90H	Anode/Cathode Kit
8214	PC-150H	Anode/Cathode Kit

Surechlor PC Series - Vertical

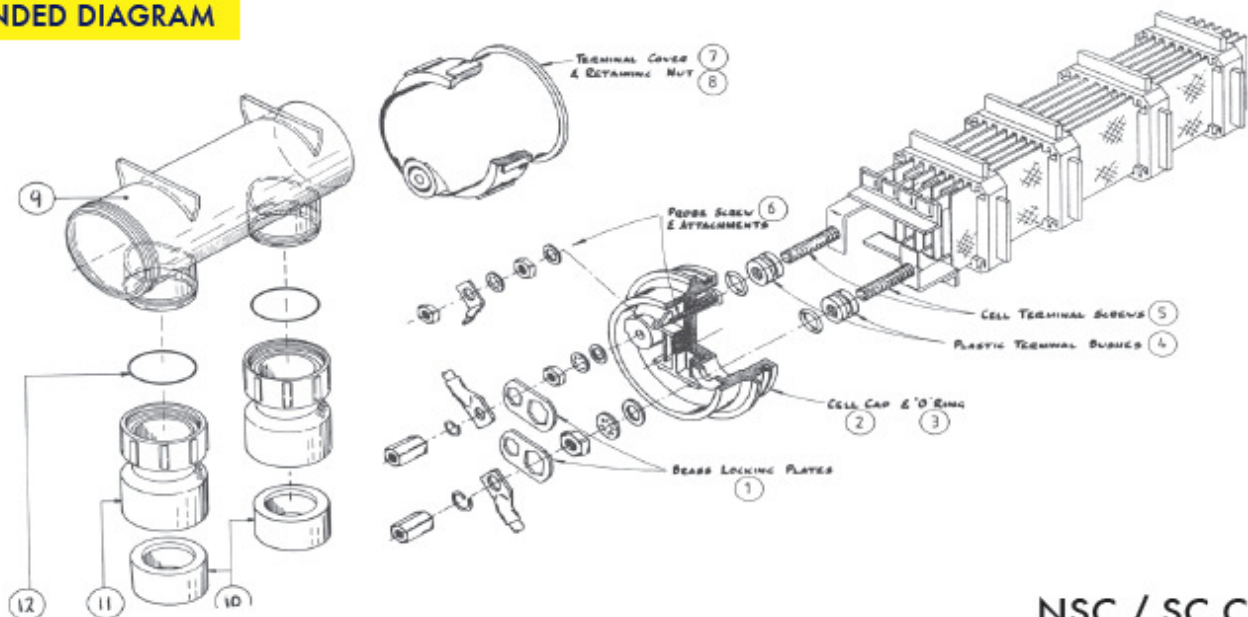
9827	PC-60	Anode/Cathode Kit
9802	PC-90	Anode/Cathode Kit
9803	PC-150	Anode/Cathode Kit

Cell Parts

NSC / SC Cells

Code	Part	Product Description
8227	1 / 2 / 3 / 4	End Cap Complete MK2 - Surechlor
8227		End Cap Complete MK2 - Enduro
21316	1	Brass Retaining Plate (2 Req)
22130	3	End Cap O-Ring
22105		O-Ring for Terminal Bush
23152	4	Terminal Bush - 3/16
20686	7	Terminal Cover Only
22212		Rubber grommet for terminal cover
20851	8	End Cap Nut - Enduro
23154		Bush - Terminal 1/4
20561	9	Cell Housing - Horizontal
20428	10	Reducing Bush - 40 x 50
1310	11	Pump Union - 50mm - Surechlor
1337	11	Pump Union - 50mm - Enduro
22138	12	Pump Union O-Ring
21812		Cell Lead - HC-100 / HC-200
20822		Flat Brass Washer
20824		Stainless Steel Washer
20842		Spring Washer
20860		Brass Hex Nut

EXTENDED DIAGRAM

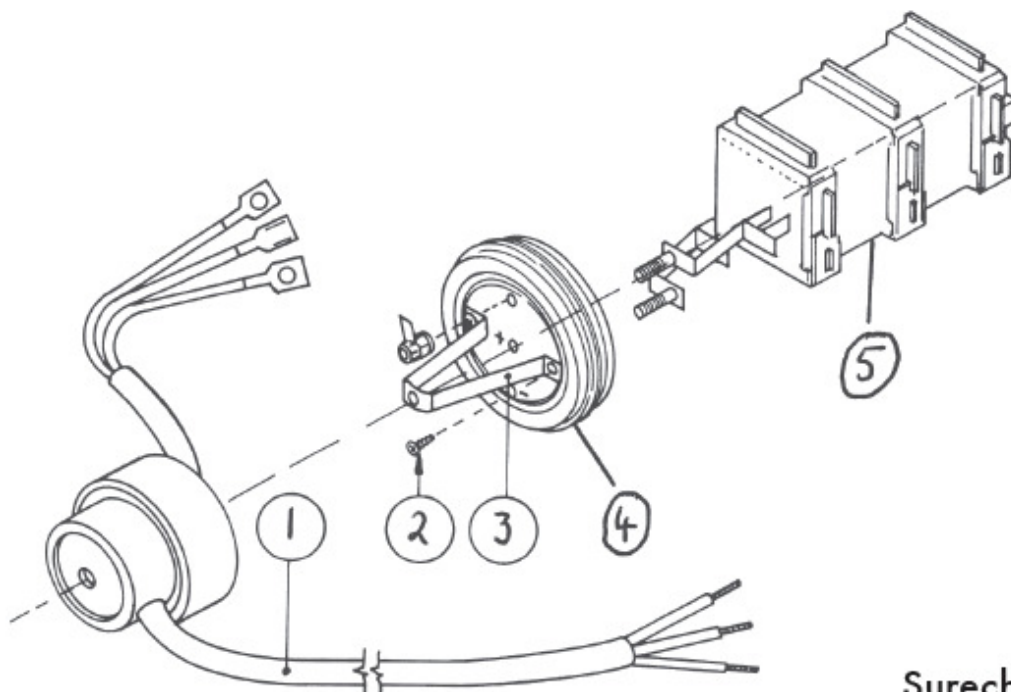


NSC / SC Cell

Surechlor PC Series Cells - Horizontal

Code	Part	Product Description
20561		Cell Housing - Horizontal
21812	1	Cell Lead
20912	2	Screw - Bracket
21166	3	Bracket - A Shaped - Titanium
8818	4	End Cap with Probe
20824		Flat Washer
20838		Spring Washer
20868		Nut

EXTENDED DIAGRAM



Surechlor PC Cell
- Horizontal