



# Spare Parts

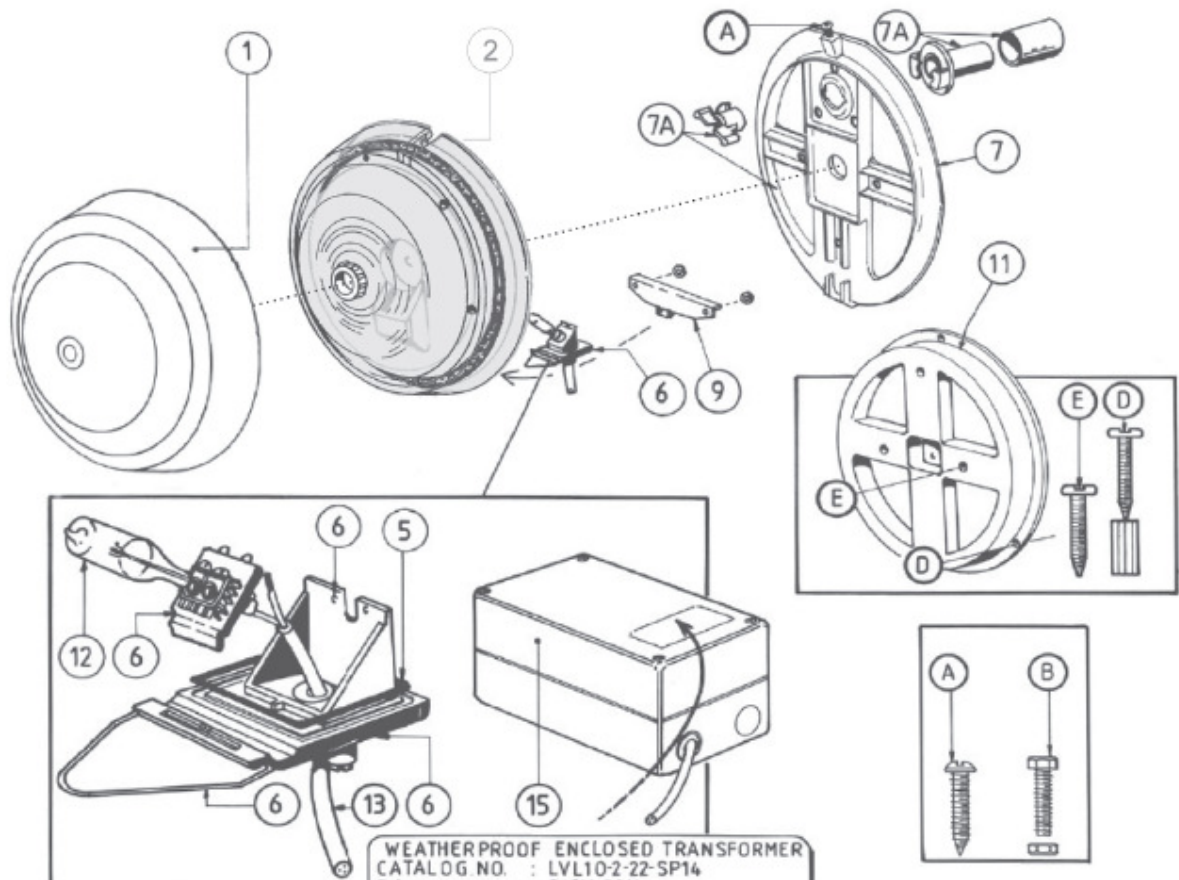
## Halogen Lights

### Trimlite - interchangeable Lens

Code	Part	Product Description
1923		"Trimlite MK2" 24V - 12m Lead - Concrete - Blue
20344	1	Screw on Lens - Clear
20346	1	Screw on Lens - Blue
20348	1	Screw on Lens - Amber
20350	1	Screw on Lens - Red
20352	1	Screw on Lens - Green
1796	2	Backplate / Fixed Lens Assy MK2
22228	5	Gasket - Lamp Holder
1748	6	Lamp Holder Complete MK1- Old Style - Clip-On
1798	6	Lamp Holder Complete MK2 - New Style - Screw In
1717	7 / 7a	Mounting Plate - Fibreglass / Vinyl Liner
1718	7	Mounting Plate Assembly - Concrete
1744	7a	Gland Kit - Fibreglass - N/Style - 12v Cable
1743	7a	Gland Kit - Fibreglass - Black - O/Style - 24v Cab
1753	7 / 7a	Mounting Plate Kit - Fibreglass
20695	9	Catcher Plate
20678	11	Wall Levelling Ring
21824	12	Lamp - 12 Volt - 100 Watt - New Style
21822	12	Lamp - 24 Volt - 150 Watt
21820	12	Lamp - 32 Volt - 150 Watt
20940	A	Light Retaining Screw (1 Req)
20906	B	Lens Nut and Bolt
20958		Retaining Screw - Old Style
1752	D	Mounting Plate Kit - Concrete
8130		Joiner Kit
1790		Conversion - Stroud/Trimlite
4103		Fuse - 6.3 amp - Transformer
1707		24v Plug in Transformer
1705		24v Weatherproof Transformer

### Ecolite - Fixed Lens

1795		Backplate & Lens Assy - Blue
1797		Backplate & Lens Assy - Clear
1799		Backplate & Lens Assy - Green
1798	6	Lamp Holder Complete MKII



Parts Drg. No. 8

WEATHERPROOF ENCLOSED TRANSFORMER	
CATALOG NO.	: LVL10-2-22-SP14
Primary	: 240V 50Hz
Secondary	: 22V ac 6-8A (FUSED 15A.)
Rating	: 150 VA
App. No.	: V/82408/LVL10-2-22-SP14
Code No.	: MM075240022

TRIMLITE  
underwater light