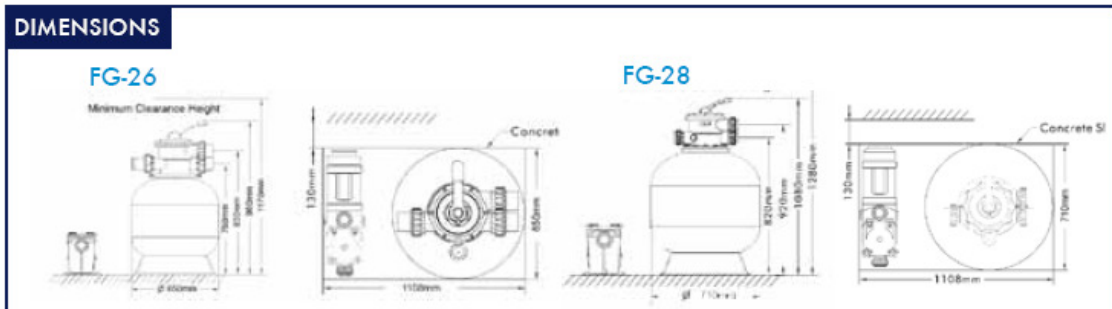




Poolrite FG Pro Series

Code	Model	Product Description
9286	FG-26	650mm (26") Dia with 40mm Valve
9288	FG-28	710mm (28") Dia with 50mm Valve



MODEL	FG-26	FG-28
Filter Tank Diameter	650mm (26 in)	710mm (28 in)
Max Flow Rate (L/hr)	16,200	19,200
DIAMOND KLEEN FILTRATION MEDIA		
M10 Fine (0.5 - 1.6mm) (kg)	90	105
M20 Coarse (1.5 - 3mm) (kg)	45	45
	V-700 Multiport	50mm Multiport