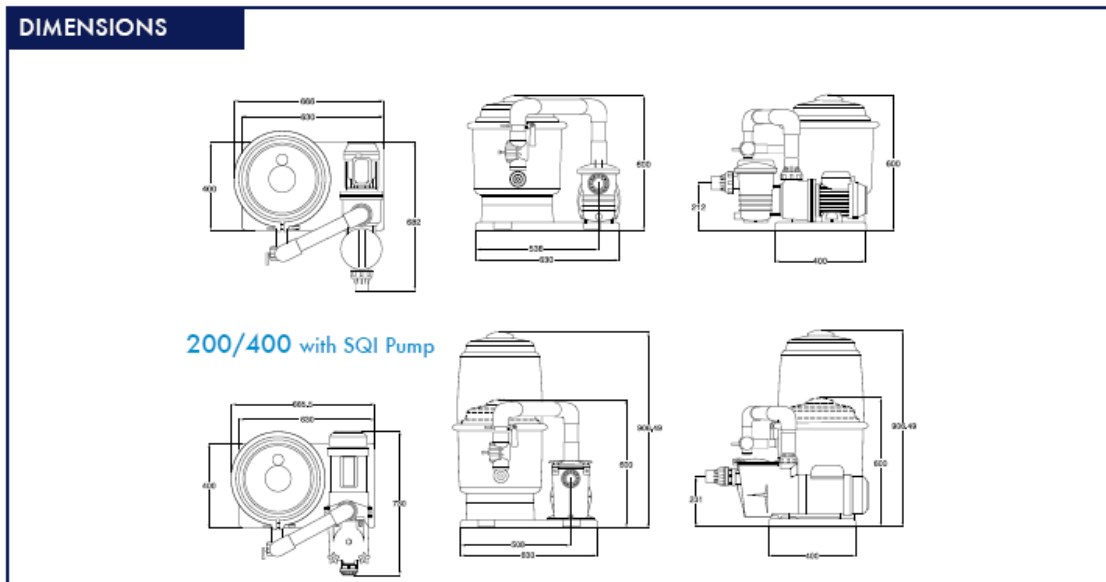




WaterMizer Cartridge Filtration System

Code	Model	Product Description
3142	200	200 with EP-930 Pump
3132	200	200 with SQI 600 Pump
3122	200	200 with SQI 500 Pump
3124	400	400 with SQI-600 Pump



MODEL	200	200	400
Pump Model	EP-930 SQI-500	SQI-600	SQI-600
Pump Motor HP (kW)	1.25hp (0.93 kW)	1.5hp (1.1 kW)	1.5hp (1.1 kW)
Av. Flow Rate per hour clean filter (L)	14,400	14,400	16,800